

FLANGE ADAPTOR FOR PE/PVC PIPES series APZ



APPLICATION

Flange adaptors dedicated for PE and PVC pipes

DESIGN FEATURES

Restrained connection with brass ring prevents axial movement of the pipe

TECHNICAL CHARACTERISTICS

Flange end connections according to EN1092-2: PN10&PN16

Maximum working pressure: PN16 / 16 bar

Working temperature: 0°C - +70°C

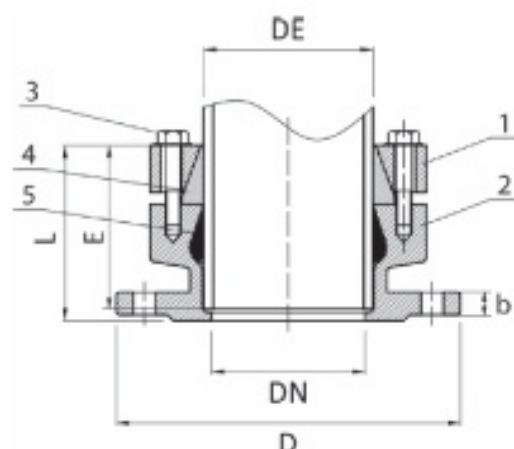
Color RAL5015

Powder epoxy coating 250 µm thickness

Bolts, nuts and washers - A2 stainless steel

DN	Flange drilling	DE	L	D	b	E	KG	BLUCAST ref. no.
50	PN10/16	63	90	165	19	80	4	APZ050063
60	PN10/16	75	92	175	19	82	4.2	APZ060075
65	PN10/16	63	90	185	19	80	4.2	APZ065063
65	PN10/16	75	92	185	19	82	4.2	APZ065075
80	PN10/16	75	92	200	19	82	5	APZ080075
80	PN10/16	90	95	200	19	85	5.1	APZ080090
100	PN10/16	90	95	220	19	85	5.5	APZ100090
100	PN10/16	110	95	220	19	85	5.7	APZ100110
100	PN10/16	125	97	220	19	87	6.4	APZ100125
125	PN10/16	110	95	250	19	85	6.7	APZ125110
125	PN10/16	125	97	250	19	87	6.9	APZ125125
125	PN10/16	140	105	250	19	95	8.8	APZ125140
150	PN10/16	160	115	285	19	105	9.8	APZ150160
150	PN10/16	180	125	285	19	115	13	APZ150180
200	PN10/16	200	135	340	20	125	13.1	APZ200200
200	PN10/16	225	138	340	20	128	13.8	APZ200225
250	PN10/16	250	155	400	22	145	19.3	APZ250250
250	PN10/16	280	158	400	22	148	24.9	APZ250280
300	PN10/16	315	184	455	25	174	26.8	APZ300315
400	PN10/16	400	245	580	25	232	48.0	APZ400400

No.	Item	Material
1	Bracket	Ductile iron EN-GJS-500-7
2	Body	Ductile iron EN-GJS-500-7
3	Bolt	AISI306
4	Locking ring	Brass
5	Sealing gasket	EPDM



All illustrations, technical data, dimensions (in mm) and weights (all weights specified in kg) are non-binding and a